

RESTRICTED

The information given in this document is not to be communicated, either directly or indirectly, to the Press or to any person not authorized to receive it.

WIRELESS SETS No. 22

in

**TRUCKS 5-Cwt. 4 x 4
NON-AIRBORNE**

Fitting Instructions

ZA 25008

**The War Office,
London, S.W. 1**

April, 1944

*Instructions, Fitting, Wireless Sets No. 22
in Trucks 5-Cwt. 4 x 4 Non-Airborne*

CONTENTS

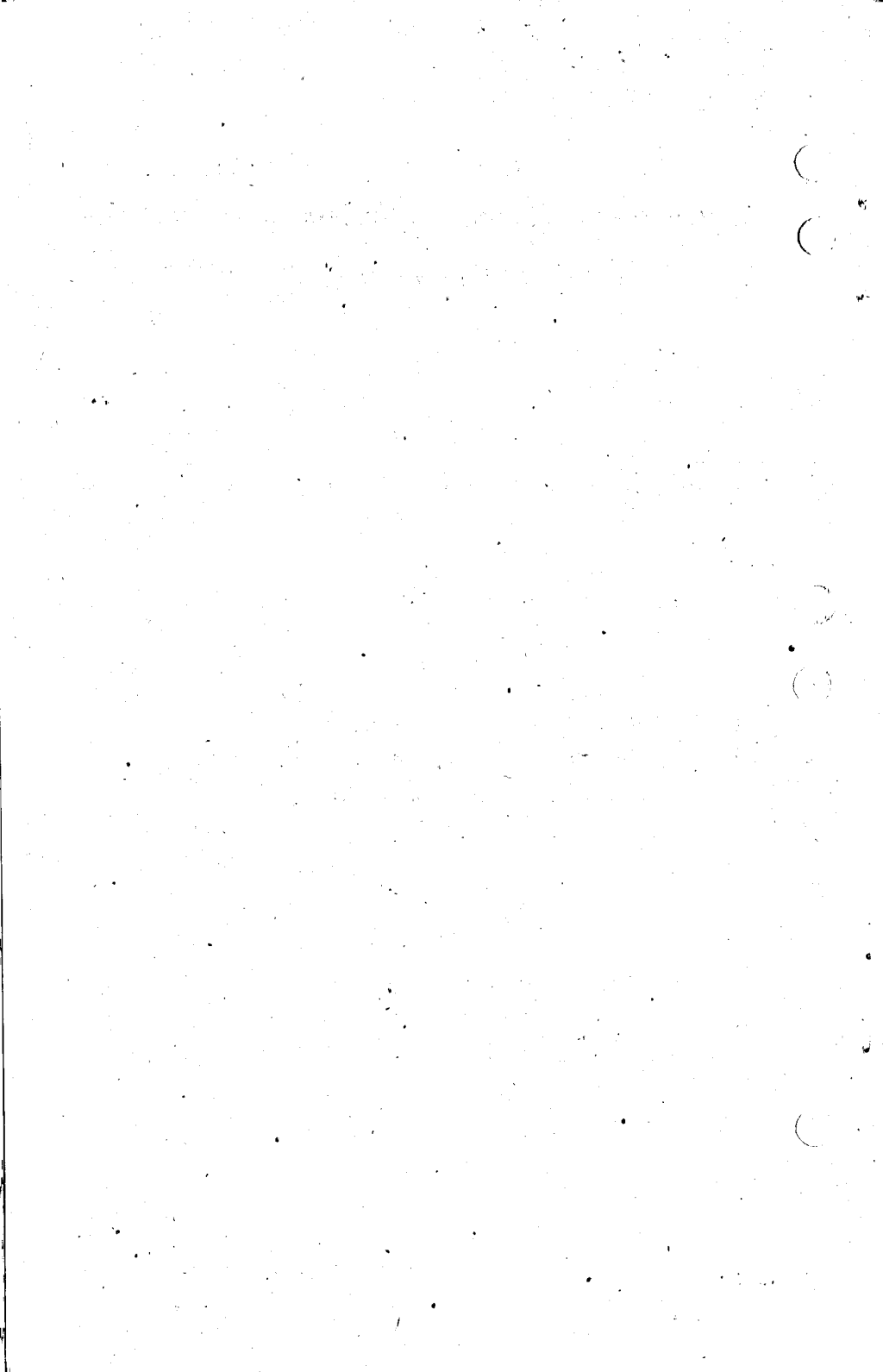
<i>Section</i>	<i>Page</i>
1 Aerial Base No. 10 and Aerial Base Mounting No. 5 ...	3
2 Carriers Battery Secondary Portable No. 19 and No. 20 ...	3
3 Set Mounting No. 1A and 1B	3
4 Carrier Generating Sets No. 9	4
5 Frames Securing No. 12	4
6 Wireless Set No. 22	4
7 Charging Set 300 Watt Mk. I	4
8 Batteries Secondary Portable 12-V. 22 Ah.	4
9 Cases Spare Valves and Cases Spare Parts	4
10 Wavemeter Class D	4
11 Connections	4

DIAGRAMS

Fig. 1—Trucks, 5 cwt. 4 x 4, Non-Airborne W/S No. 22 installation showing fittings.

Fig. 1A—Method of securing Set mounting Nos. 1A and 1B to top of mudguard.

Fig. 2—Trucks 5 cwt. 4 x 4, Non-Airborne. Showing equipment with connectors.



WIRELESS SETS No. 22

in

TRUCKS 5-Cwt. 4 x 4

NON-AIRBORNE

Fitting Instructions

1. Aerial Base No. 10 and Aerial Base Mounting No. 5 (Fig. 1).

Remove the 2 screws holding the side plate to the top of Aerial Base Mounting No. 5 and fix Aerial Base No. 10 to the top plate of the bracket by 6 bolts.

Drill 4 holes on left-hand side (rear) of vehicle (Fig. 1) to line up with the holes in the bottom of the Aerial Base Mounting No. 5. Bolt bracket to side of vehicle with 4 bolts using 2 backing plates provided on inside of vehicle.

NOTE : To fix the bottom backing plate it is necessary to open the locker lid.

2. Carriers Battery Secondary Portable No. 19 and No. 20 (Fig. 1)

Drill 6 holes in the floor of the vehicle to line up with the holes in the Carriers Battery Secondary Portable No. 19. Bolt Carriers Battery Secondary Portable No. 19 assembly to the floor.

Similarly with Carriers Battery Secondary Portable No. 20, drilling 4 holes in the floor of the vehicle to line up with the 4 holes in this fitting. Fix by 4 bolts.

SECTIONS 3-9

3. Set Mounting No. 1A and 1B (Fig. 1)

On the top of the rear mudguard on the left-hand side of the vehicle drill 3 holes to line up with holes in Set Mounting No. 1A and fix by 3 studs (provided) using backing plate underneath. Access to the underside can be gained by opening the lid of the locker.

Similarly with Set Mounting No. 1B drill 3 holes on the top of the rear mudguard on the right-hand side of the vehicle and fix fitment by 3 studs (provided) with backing plate on the underside.

4. Carrier Generating Sets No. 9 (Fig. 1)

Drill holes on the rear mudguard at the right-hand side to line up with the holes on Carrier Generating Sets No. 9. Fix by 2 bolts.

5. Frames Securing No. 12. (Fig. 1)

Drill 4 holes in the right-hand rear mudguard (see Fig. 1) to line up with holes in frame and secure by bolts provided.

6. Wireless Set No. 22 (Fig. 2)

Place Wireless Set No. 22 on the Set Mountings No. 1A and 1B using inside studs on the mountings and bolt down.

7. Charging Set 300 Watt Mk. I (Fig. 2)

Place Charging Set 300 Watt Mk. I in Carrier Generating Sets No. 9 and strap down with straps provided.

8. Batteries Secondary Portable 12 V. 22 Ah. (Fig. 2)

Place two 12-V. 22 Ah. batteries in Carriers Battery Secondary Portable No. 19 and also 2 batteries in Carriers Battery Secondary Portable No. 20. Tighten down retaining bars.

9. Case Spare Valves and Case Spare Parts (Fig. 2)

Case Spare Valves are stowed in position on the side of Carriers Battery Secondary Portable No. 20 by one strap together with Case Spare Parts.

SECTIONS 10-11.

10. Wavemeter Class D

Place Wavemeter Class D in Frames Securing No. 12 positioned over the rear mudguard on the right-hand side of the vehicle.

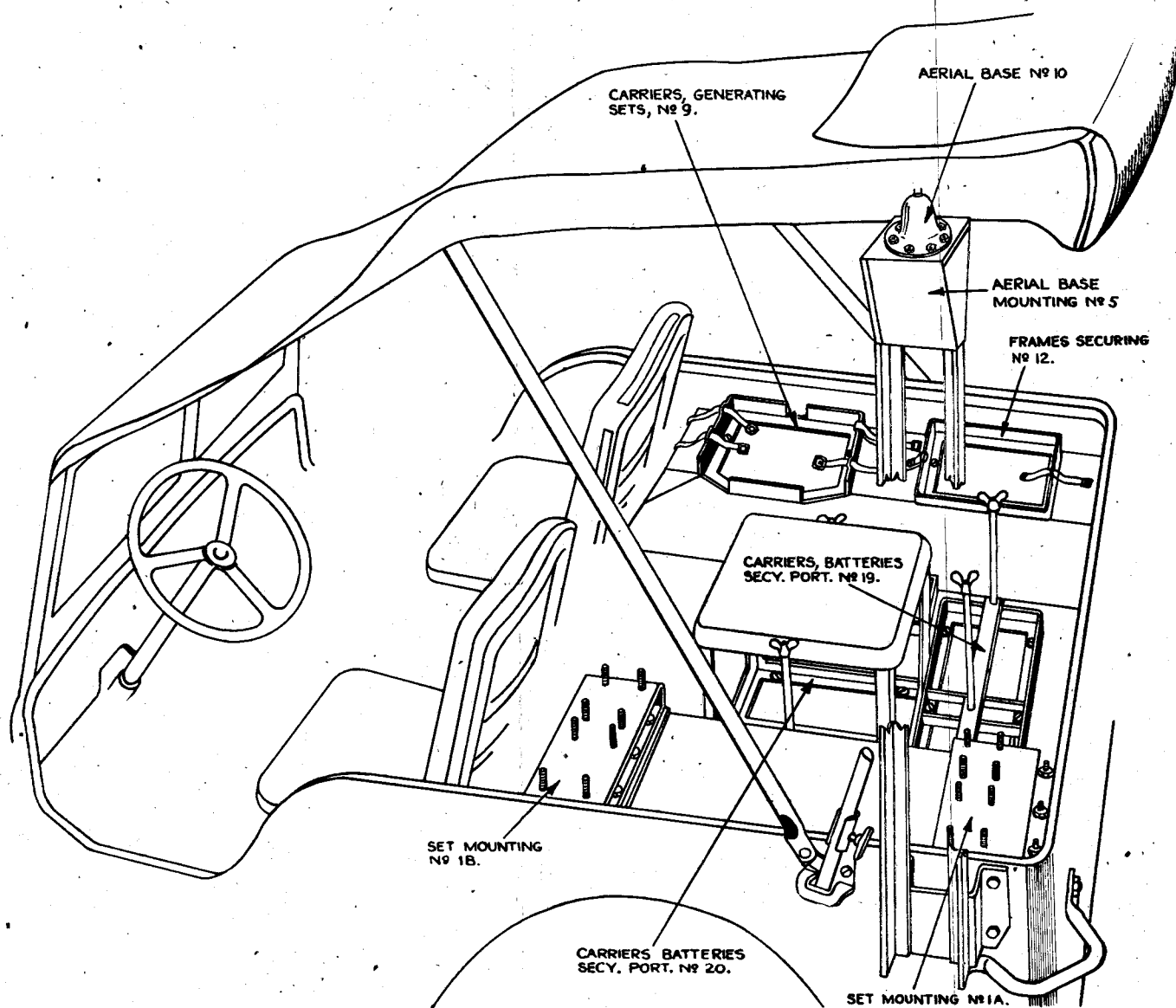
11. Connections (Fig. 2)

Connectors No. 10A connects Wireless Set No. 22 and Condenser X5, 5KV. Mk. II.

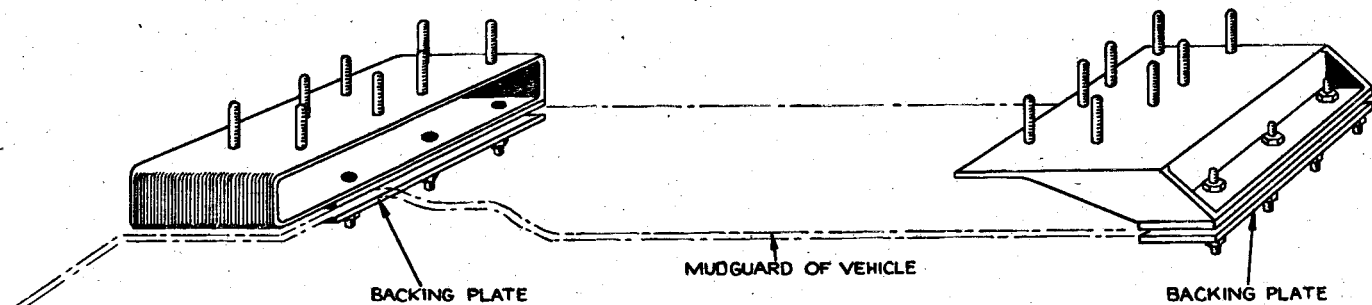
Connectors No. 10A connects Condenser X5, 5KV. Mk. II and Aerial Base No. 10 Mk. II.

Connectors Twin No. 78 connects one 12-V. 28 Ah. battery to the Power Supply Unit of the 22 set.

NOTE : With this installation the rear seat will not be used in the vehicle on the move.



**FIG. 1—WIRELESS SETS No. 22 in TRUCKS, 5 CWT. 4 x 4, NON-AIRBORNE,
SHOWING FITTINGS.**



**FIG. 1A.—WIRELESS SETS No. 22 IN TRUCKS, 5 CWT. 4 x 4, NON-AIRBORNE,
METHOD OF SECURING SET MOUNTING Nos. 1A and 1B TO TOP OF MUDGUARD.**

(F.4051) Wt. 14044-9597 7,460 12/4 Gp.8 F. & C. Ltd.

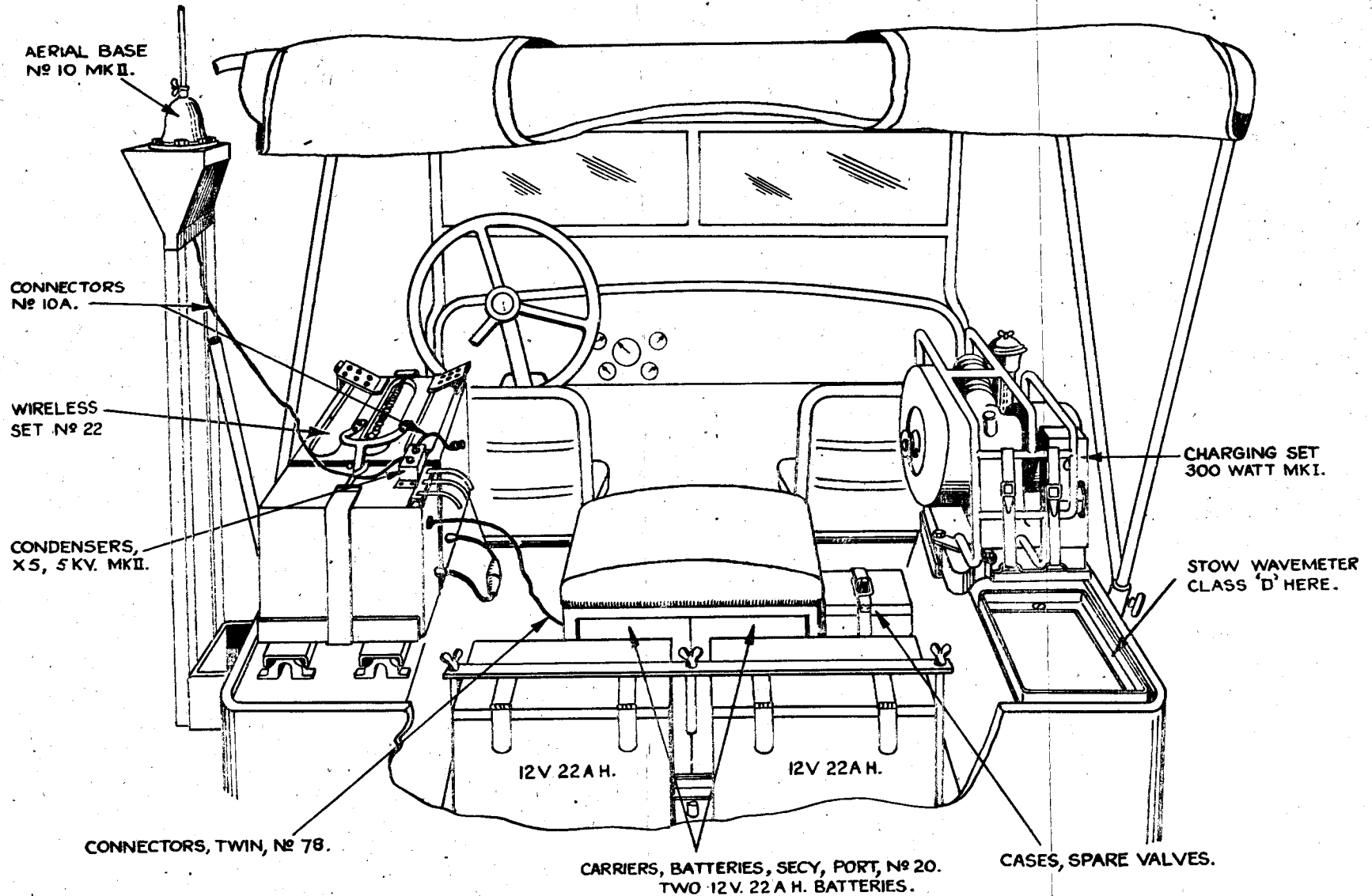


FIG. 2—WIRELESS SETS No. 22 in TRUCKS, 5 CWT. 4 x 4, NON-AIRBORNE,
SHOWING EQUIPMENT IN VEHICLE.

